

CVDC Power Supplies... 28 Series

Rackmount Regulated DC for industrial and telecommunication applications

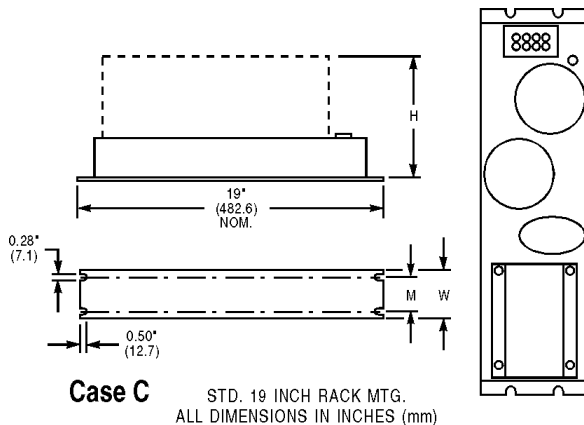


Features

- Isolated output.
- Short circuit protected.
- Rack-mount.
- Highly reliable, convection cooled design (no fan used or required).
- Operating temperature at 50°C.
- MTBF greater than 300,000 hours.
- High efficiency.
- One year warranty.
- UL Recognized.

Applications

- Process controls
- Drives
- Telecommunications & cellular applications



Specifications

Parameter	Condition	Limit
Input		
Input Voltage		100 to 130 VAC 60 Hz
Output		
Source Frequency Effect		Actual variation is approximately 1.4 % voltage change for a 1% frequency increase or decrease
Line Regulation		±1%
Load Regulation		±5% (1/2 FL to FL)
Periodic Deviations (Ripple)		1% RMS of Output
Ripple	Telecommunications Models	35 dbm C (15 mv RMS)
Response Time		25 msec
General		
Efficiency	Full Load	80% to 90%
Operating Ambient Temperature		0°C to 50°C
Current Limit		250% Rated Current

Selection Table

Catalog Number	Output	Case
28-2233*	48 V @ 10 A	C-1
28-2234*	48 V @ 20 A	C-2
28-1024-1†	24 V @ 6 A	C-1
28-2126-1†	24 V @ 10 A	C-5
28-1203-2†	24 V @ 15 A	C-6
28-2127-1†	24 V @ 25 A	C-2

*Telecommunications models 115/230 V selectable and UL only.
†UL tested to CSA standards.

Dimensions (inches). Standard 19" Rackmounting

Case C	W	M	H
C-5	5 1/4	2 1/4	8 3/4
C-1	5 1/4	2 1/4	9 3/4
C-6	7	4	7 1/4
C-2	8 3/4	5 3/4	9 3/4