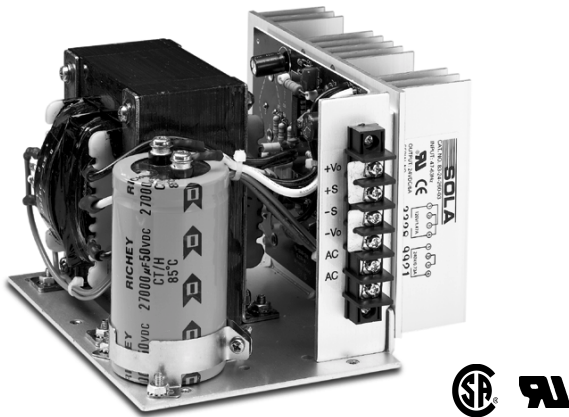


## Linear OEM – Single Output



### Features

- Low noise output.
- 115/230 VAC input.
- Remote sensing.
- Designed for both bench and rack use.
- Completely protected short circuit proof; automatic foldback.
- Current limiting – automatic reset.
- Isolated floating output.
- UL Recognized, CSA Certified.
- Warranted for one full year.
- Built-in OVP on 5 Volt models.
- Terminal block on Case D models (24 V/6 A).
- One year warranty.

### Selection Table

| Catalog Number | Output 1     | Case |
|----------------|--------------|------|
| 83-05-230-3    | 5 V @ 3.0 A  | B    |
| 83-12-218-3    | 12 V @ 1.8 A | B    |
| 83-24-212-3    | 24 V @ 1.2 A | B    |
| 83-05-260-3    | 5 V @ 6 A    | C    |
| 83-12-250-3    | 12 V @ 5 A   | C    |
| 83-24-225-3    | 24 V @ 2.5 A | C    |
| 83-05-312-3    | 5 V @ 12 A   | D    |
| 83-12-310-3    | 12 V @ 10 A  | D    |
| 83-24-260-3    | 24 V @ 6 A   | D    |

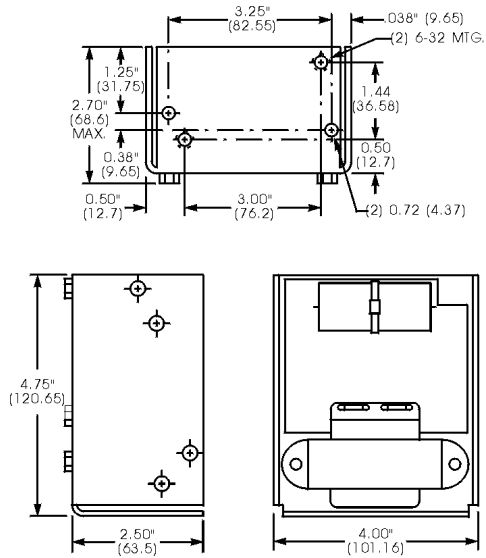
### Applications

- Microprocessor circuits
- Process controls
- Control circuits
- Noise sensitive circuits
- Instrumentation
- CNC machinery
- Analog circuits

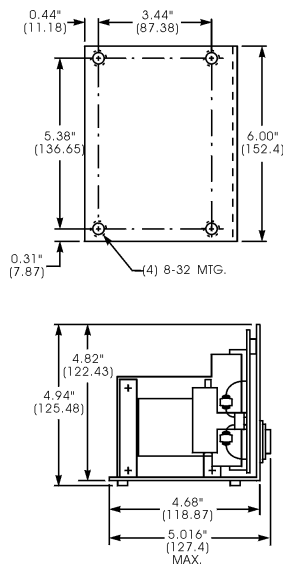
### Specifications

| Parameter                                      | Condition     | Limit   |
|--|---------------|---|
| <b>Input</b>                                   |               |   |
| Input Voltage                                  |               | 104-127 VAC<br>208-254 VAC  |
| Input Frequency                                |               | 50-60 Hz.   |
| <b>Output</b>                                  |               |   |
| Regulation Line & Load                         |               | ±0.1%   |
| Pard (Ripple and Noise)                        |               | 0.1% pk/pk  |
| Periodic Deviations (Ripple)                   |               | 10mv rms  |
| Output Voltage Adjustment                      |               | ±5% Minimum   |
| Transient Recovery Time                        | 50%-100% Load | Less than 50 msec   |
| <b>General</b>                                 |               |   |
| Storage Ambient Temp.                          |               | -40°C to +85°C  |
| Operating Ambient Temp.                        |               | 0°C to +50°C  |
| Temp. Effect Coefficient                       |               | 0.03% °C  |
| Polarity                                       |               | May be used positive or negative  |
| Short Circuit Protection                       |               | Protected with Automatic Recovery   |
| Maximum Allowable Lead Drop for Remote Sensing |               | 5%  |
| Maximum Output Current                         |               | 120% Rated Current  |
| Maximum Short Circuit Current                  |               | 30% Rated Current   |
| Input/Output Isolation                         |               | 1000 Megohms D.C.,<br>2500 VAC  |
| Cooling  |               | Forced air.<br>20 CFM required for full rating<br>Derate 30% without cooling. |

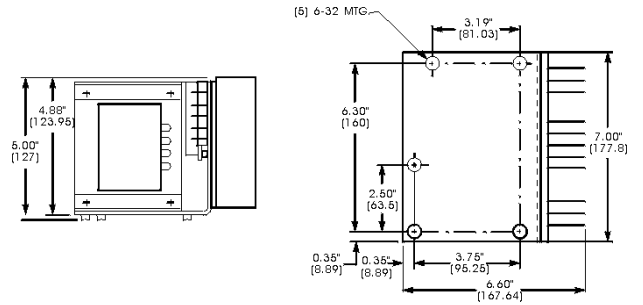
## Linear OEM Cases and Dimensions



**Case B**



**Case C**



**Case D**

**Notes:**

All dimensions in inches (mm). Dimensions may change and should not be used for construction purposes.

When ordering, be sure to specify the complete part number. Orders may be placed with your local Sola/Hevi-Duty distributor.